



DVR/NVR



CAMERA



ACCESSORY



SOFTWARE

UNIVERSAL 4M DVR

UHD1608F-U



UNIVERSAL | Analog | Digital | IP | 4M QHD | 4K UHD | TDM RX

Key Features

- Digital : HD-SDI, EX-SDI(1.0, 2.0, 2.1), TDM
- Analog : AHD, TVI, CVBS(960H, SD)
- IP(Ethernet) : Onvif, WESP
- Support Max. 16ch(2M/4M), 8ch(4K)
- 4K UHD(HDMI) output
- 6 Internal SATA HDDs
- External storage capacity 128TB(eSATA), 256TB(NS04R/UHS04R)
- Real Time Streaming(RTSP)
- Service channel, Remote DVR
- VMS(Control Center), Mobile App, HTML5 WebViewer

Dimension

(445×418×88mm)



Tech Note

UNIVERSAL Support all kinds of existing video formats

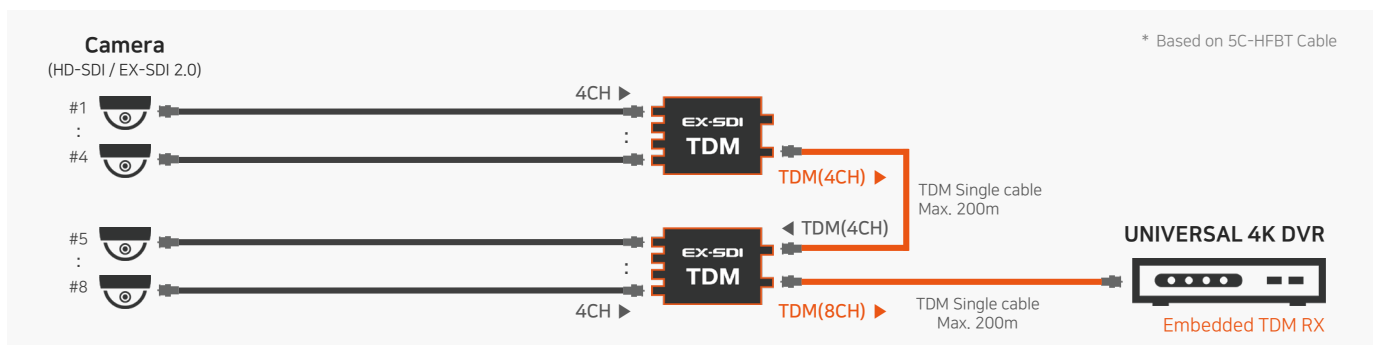
From SD to UHD, including IPC, the Universal DVR support all kinds of video formats
The Universal DVR is the optimum solution for any site, any camera

4M QHD 4M QHD recording / playback for all channel

4M QHD is perfect for large area coverage and identifying objects at great distances
DVR supports 4M QHD (2x greater than Full-HD) and 4K UHD (4x greater than Full-HD) recording

TDM(Time Division Multiplexer) Transmit 8ch through single cable

Embedded TDM RX(EX-SDI) receives max 8ch video with single cable





DVR/NVR



CAMERA



ACCESSORY



SOFTWARE

UNIVERSAL 4M DVR

UHD1608F-U



VIDEO INPUT		
Video input Format	BNC	HD-SDI, EX-SDI(1.0 / 2.0 / 2.1), EX-SDI TDM AHD, TVI, CVBS(960H,SD)
	IP(Ethernet)	WESP, Onvif Profile S H.264
Resolution / Frame Rate	HD-SDI	1920×1080@30fps, 1920×1080@25fps
	EX-SDI 1.0	2560×1440@30fps, 2560×1440@25fps
	EX-SDI 2.0	3840×2160@30fps, 3840×2160@25fps
	EX-SDI 2.1	
	EX-SDI TDM	1920×1080@30fps, 1920×1080@25fps
	AHD	1920×1080@30fps, 1920×1080@25fps 2560×1440@30fps, 2560×1440@25fps 3840×2160@15fps(*), 3840×2160@12fps(*)
TVI		1920×1080@30fps, 1920×1080@25fps
		2560×1440@30fps, 2560×1440@25fps 3840×2160@15fps(*), 3840×2160@12fps(*)
CVBS(960H)		960×480@60i, 720×480@60i 960×576@50i, 720×576@50i
IP		1st stream: 1280×720~3840×2160 2nd stream: max 1280×720
Connectors	16ch, 75Ω BNC connector	
CoC	Control over Coax@AHD,TVI,All SDI	
VIDEO OUTPUT		
Video output	Resolution	HDMI : 3840×2160, 1920×1080 VGA : 1920×1080, 1280×1024, 1024×768, 800×600 BNC(SDI) : 1920×1080 BNC(CVBS) : 720×480, 720×576
	Mode	HDMI/VGA Main + CVBS Spot HDMI/SDI Main + CVBS Spot HDMI Main + VGA Spot + CVBS Spot HDMI Main + SDI Spot + CVBS Spot
	BNC(CVBS)	1, 4, 9, 16 split-screen, Switching
	BNC(SDI)	Main : Same as HDMI output Spot : 1, 4, 9, 16 split-screen, Switching Format : HD-SDI, EX-SDI, EX-SDI 2.0
RECORDING		
Compression	H.264 / JPEG	
Resolution	3840×2160, 2560×1440, 1920×1080, 960×480	
Rate	Max. 480fps@1920×1080, Max. 480fps@2560×1440 Max. 240fps@3840×2160	
Quality	10 levels up to 12Mbps@2M, 12Mbps@4M, 16Mbps@8M(4K)	
Mode	Normal/Event Record, Schedule/Event Record, Emergency Record	
Schedule	24hrs / 7days	
PLAYBACK		
Mode	Instant Playback / Search	
Speed	Max. 480fps@1920×1080 Max. 480fps@2560×1440 Max. 240fps@3840×2160	
Search type	Date/Time, Calendar/Time-line, Event, Thumbnail(Interval/Motion), Text, Bookmark	
Block playback	1day ~ 99days	
EVENT & ALARM		
Event source	Motion detection, Sensor input, Video Loss, Text input, System	
Event check Schedule	24hrs / 7days	
Event action	Relay, Buzzer, E-mail, FTP, Video pop-up, Camera Preset, Mobile Alarm Push, System alarm	
MD area	15×10	
Text input	POS/ATM support, AVE VSI Pro/Hydra support	
SYSTEM ALARM		
Event source	HDD fail, HDD almost full, Password fail, WRS/DDNS fail, Recording Fail	
Event action	Pop-up Message, Buzzer, E-mail, Relay, Mobile Alarm Push	
AUDIO		
Input/output	4 RCA input / HDMI & RCA output	
Compression	G.711	
Direction	Both	

PTZ	
Protocols	HIK-C, AHD, C1080(D1080), C1080PT-Z20, Pelco-D, Pelco-P, Samsung, Panasonic and others
NETWORK	
Interface	1 Gigabit Ethernet (10/100/1000Mbps)
Type	Static IP, Dynamic IP, xDSL
DDNS	WNS, DynDNS, NoIP, WRS
Bandwidth limit	0.01 ~ 100Mbps, unlimited
NTP	Server / Client / Both
Users	10 Monitoring, 4 Playback
RTSP	Supported
UPnP	UPnP auto port forwarding
Streaming	H.264 stream, High resolution 1 additional H.264 stream, Normal resolution 1 JPEG stream, Normal resolution
Service Streaming	Service Channel or Remote DVR
SECURITY	
User level	1 admin, 10 users
User privilege	Menu, PTZ, Relay, Playback, Power off, Copy, Network MIC, Camera setup
IP filtering	Supported
STORAGE & BACKUP	
Storage devices	6 internal SATA HDDs, 1 external eSATA Interface, Gigabit network for NS04R/UHS04R
RAID Level	External storage including NS04R/UHS04R (Level 1/5/10)
File system	High-performance proprietary file system Data-loss protection against power interrupt Safe HDD head parking in power failure
Capacity	Max. 128TB with eSATA, Max. 256TB with cascaded NS04R/UHS04R 10TB HDD Supported
Backup type	Multi-channel exe file, Single channel avi file, JPEG(Capture)
Backup device	3 USB 2.0 drive (2 front, 1 rear)
S.M.A.R.T.	Health checking and alarm, Reallocation sector monitoring and alarm
SERIAL & I/O	
Serial port	2 RS-485
Sensor input	16 Dry-contacts + Sensor of IP Camera
Relay output	2 Relays
CONTROLLER	
Device	IR remote controller, Joystick Keyboard(option), Mouse
SOFTWARE	
HTML5 Webviewer	Monitoring / Event / PTZ / Playback for browser supporting HTML5
Webviewer	Monitoring / Event / PTZ / Playback for IE
Mobile viewer	Monitoring / Playback / Alarm Push / PTZ / Audio / Log View with iPhone & Android
CMS	Control Center, Max. 1024 units
SDK	ActiveX(COM) SDK
ENVIRONMENTAL & PHYSICAL	
Dimension	445(W) × 418(D) × 88(H) mm
Weight	5.8 Kg (No HDD)
Operating Temperature	5°C~45°C (41°F ~ 113°F)
Operating Humidity	80% below, free of condensation
Power	AC free volt (100~240VAC), 50/60Hz
IPFR	Supporting IPFR (Intelligent Power Failure Recovery)
Power Consumption	Max. 36W, Typical 30W(No HDD)
Approval	KC, FCC, CE, RoHS

(* Marks- Scheduled to be supported)

* Specifications are subject to change without notice for product improvement.