

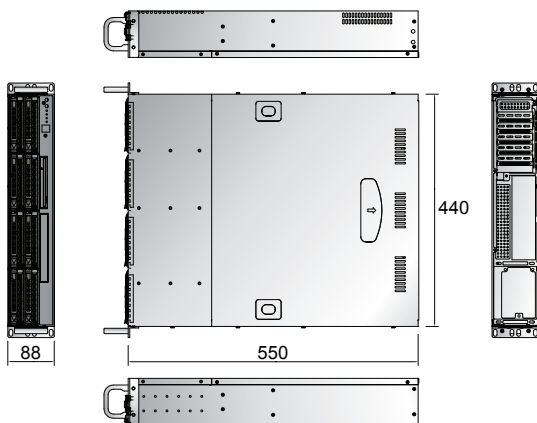
64Ch Rack-mountable NVR



Key Features

- 64Ch. Streaming
- Real time live viewing
Max. 480fps @ FULL-HD(1920x1080), 480fps @ D1(720x480/720x576)
- Real time recording
Max. 1920fps @ FULL-HD(1920x1080)
- Supports H.265 / H.264 / MJPEG codec
Video, Audio, PTZ, DI/DO control
- 1 HDMI / 1 VGA output for local display
- 3 USB port for mouse / keyboard etc (USB 2.0 x 2 / USB 3.0 x 1)
- 48TB (Max. 6TB x 8HDD) support
- Support RAID 5 as an option
- 4K Recording and Playback

Dimensions



Accessory

FWR228-01N

Technical Specifications

NVR	
Max Channel	64Ch IP cameras
Video	
Max. Streaming Rate	Max 480fps @ FULL-HD, Max 480fps @ D1
Supported Codec	H.265 / H.264 / MJPEG
Streaming Function	Retransmission (Proxy)
PTZ	Remote PTZ control
Recording	
Max. Recording Rate	Max 1920fps @ Full HD or 4K
Stream	Video, Audio, Data
HDD Support	Supports 8 SATA HDDs up to 6TB / each (Max.48TB)
RAID	RAID 5 Supports (Optional)
Condition	Always, Motion, Event, Schedule
Interface	
Video Out	1 HDMI, 1 VGA
Audio In/Out	2 way (1 in, 1 out)
Audio Compression	8bit G.711, 8Khz, 8Kbyte/sec
Alarm In/Out	16 DI, 4 DO (Direct On/Off)
Serial Port	RS-232C
Peripherals	USB2.0 x 2 + USB3.0 x 1
Network	
WAN (Ethernet)	10/100/1000-base-T Ethernet (auto sensing)
LAN (Ethernet)	10/100/1000-base-T Ethernet (auto sensing)
Protocol	HTTP, TCP/IP, UDP, FTP, Telnet, RARP, DHCP, NTP, SMTP client, uPNP And etc.
Viewer	Browsers (Microsoft Internet Explorer) CMS, VLC
Player	Browsers (Microsoft Internet Explorer), CMS, VLC
Dynamic IP	DDNS (www.ipcctvdns.com)
Smart Solution	FlexWATCH Mobile (iOS, Andriod), IPCAMVISION (iOS, Android)
Security	IP Filtering, Encrypted & Basic Authentication, HTTPS, Management White List
Hardware	
System	32bit Embedded Linux, ARM Cortex A17 quad-core@maximum 1.4 GHz, SDRAM 256Mbyte, NAND Flash 128MBytes
Approvals	KC, FCC, CE, RoHS, UL
Working Condition	0℃ ~ +50℃ (32°F ~ 122°F), 10% ~ 80% RH
Power Supply	INPUT : 100-240VAC, 50~60Hz OUTPUT : 12VDC @ 17A
Power Consumption	Max. 300W
Dimension	440(W) x 550(D) x 88(H) mm
Weight	About 8,500g without HDD