

5M Fixed Vandal-proof Dome

FW7502-PVF



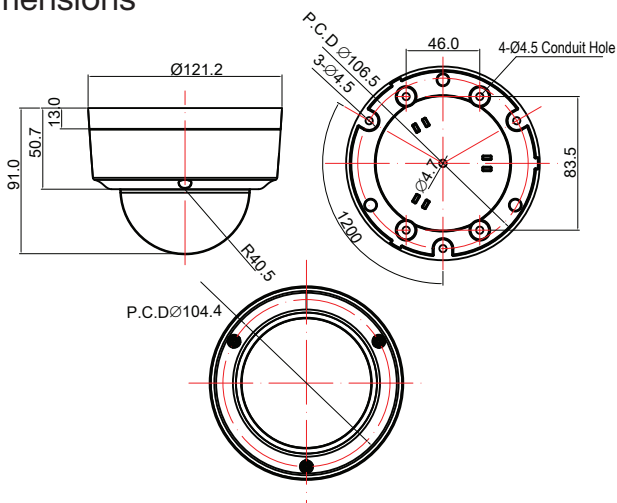
ONVIF



Key Features

- 1/2.9" 6.82M PS CMOS sensor
- 3.6mm Fixed Lens
- Max. 15fps@5M (2592x1944) / 30fps@4M(2688x1520)
- Quadruple stream (H.265, H.264, M-JPEG, JPEG)
- Onboard storage by MicroSD (up to SDXC 128GB)
- ONVIF(Profile S) standard

Dimensions



Accessory

Technical Specifications

Camera

Image Sensor	1/2.9" 6.82M Progressive Scan CMOS
Lens	3.6mm Fixed Lens
Min. Illumination	Color: 0.06 lux, B&W: 0.0006 lux / 0 lux (IR On)
IR	24 IR LED
PoE	IEEE 802.3af

Video

Streaming	Quadruple Stream
Compression	H.265, H.264, M-JPEG, JPEG
Resolution	2592x1944, 2688x1520, 2048x1536, 1920x1080, 1280x720, 704x480, 640x352, 320x176, 160x96
Max. Frame Rate	30fps, 25fps, 15fps@2592x1944
Bit Rate Control	VBR, CBR (H.264 only), 32K~12Mbps), AVBR
Frequency Control	60Hz, 50Hz
Buffer	Max. 5.6Mbyte pre/post alarm buffer
Privacy Masking	8 privacy zone
Motion Detection	On (144 block selection), Off
Video Analytics	Optional (Face Detection, Tampering, Tripwire etc)
Smart Video	ROI (Region of Interest)
Stabilizer	-
WDR & NIGHT	WDR (On, Off), BLC(Disable/Enable)
Day & Night	TDN (Auto, B&W, Off) Removable IR cut filter
White Balance	Auto, Manual(various lighting condition)
Noise Filter	3DNR (On, Off)
Image Adjustment	Brightness, Contrast, Hue, Saturation, Sharpness
Sharpness	Level 0~11
Auto Gain Control	Level 1~72
Shutter Speed	Auto, Manual (1/30~1/32000)
Sense-up	Level Off/1/2
Flip	Vertical (On, Off), Horizontal (On, Off)
PTZ	-

Interface

Video Out	1 CVBS
Audio In/Out	-
Audio Compression	G.711
Alarm In/Out	-
Serial Port	-
Peripherals	-
Memory Slot	1 Micro SD Slot (up to SDXC 128GB)

Network

LAN	10/100-base-T (auto sensing)
Protocol	HTTP, RTP/RTSP(Uni/Multicast), TCP/IP(v4/v6), UDP, FTP, Telnet, HTTPS, RARP, SNMP, DHCP, NTP, SMTP client, uPnP&etc
Standard	ONVIF (Profile S)
Viewer	Browsers (Microsoft Internet Explorer), CMS, VLC
Dynamic IP	DDNS (www.ipcctvdns.com)
Smart Solution	FlexWATCH Mobile (iOS, Android), IPCAMVISION (iOS, Android)
Security	IP Filtering, HTTPS, Encrypted & Basic Authentication, Management White List

Hardware

System	32bit Embedded Linux, 256Mbyte SDRAM, 128Mbyte NAND Flash
Approvals	KC/FCC/CE, RoHS, IP66
Working Condition	-20 °C ~ +60 °C, ~90% RH
Power Supply	SMPS, DC 12V/1A
Power Consumption	Max. 5.2W @ 12VDC
Dimension	81Ø x 121.2(L) x 91(H) mm
Weight	About 515g without Power Supply