

# 2M IR Indoor Dome



**SONY  
STARVIS**

**ONVIF**



## Key Features

Sony Starvis 2.13M (1/2.8") 6.46mm CMOS sensor

Max. 30fps @ 2M (1920x1080)

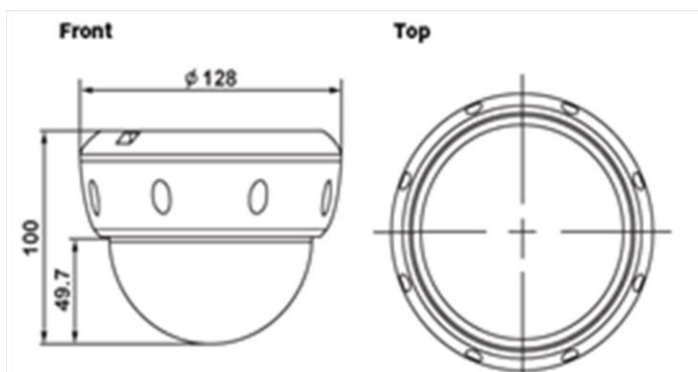
Triple stream (H.264, H.264, M-JPEG)

Superb WDR (>120dB) with DOL(Digital Overlap) operation

Onboard storage by Micro SD/SDHC

**ONVIF (Profile S) standard**

## Dimensions



## Accessory

## FW7601-FTF

### Camera

Image Sensor	SONY Starvis 2.13M (1/2.8") 6.46mm CMOS Sensor
Lens	3.6mm fixed focal Lens
Min. Illumination	Color: 0.05 lux, B&W: 0 lux (IR ON)
IR	30 IR LED
PoE	IEEE 802.3af

### Video

Streaming	Triple Streaming
Compression	H.264, M-JPEG
Resolution	1920x1080, 1280x720, 704x480, 640x352, 320x176, 160x96
Max. Frame Rate	30fps, 25fps
Bit Rate Control	VBR, CBR (H.264 only, 32K~12Mbps)
Frequency Control	60hz, 50hz
Buffer	Max. 5.6Mbyte pre/post alarm buffer
Privacy Masking	8 privacy zone
Motion Detection	On (144 block selection), Off
Video Analytics	Optional (Face Detection, Tampering, Tripwire)
Smart Video	ROI
Stabilizer	-
Enhancement	WDR
Day & Night	TDN (Auto, B&W, Off)
White Balance	Auto, Manual
Noise Filter	2DNR (On, Off), 3DNR (On, Off)
Image Adjustment	Hue, Saturation, Brightness, Contrast
Sharpness	Level 0~255
Auto Gain Control	Level 1~500
Shutter Speed	Auto, Manual (1/30~1/24000)
Sense-up	Level 0~5
Flip	Vertical (On, Off), Horizontal (On, Off)
PTZ	-

### Interface

Video Out	One CVBS
Audio In/Out	-
Audio Compression	-
Alarm In/Out	-
Serial Port	-
Peripherals	-
Memory Slot	1 Micro SD/SDHC

### Network

LAN	10/100-base-T (auto sensing)
Protocol	HTTP, RTP/RTSP(Uni/Multicast), TCP/IP(v4/v6), UDP, FTP, Telnet, HTTPS, RARP, PPPoE, SNMP, PAP, CHAP, DHCP, NTP, SMTP client, uPnP & etc
Standard	ONVIF (Profile S)
Viewer	Browsers (IE, Chrome, Firefox, Safari etc), CMS, Quick Time, VLC
Dynamic IP	DDNS (www.ipcctvdns.com)
Smart Solution	IPCAMVISION (IOS, Android)
Security	IP filtering, HTTPS, Encrypted & Basic Authentication

### Hardware

System	32bit Embedded Linux, 256Mbyte SDRAM, 128Mbyte NAND Flash
Approvals	KC/FCC/CE
Working Condition	-10℃ ~ +60℃, 10% ~ 90% RH
Power Supply	SMPS, DC 12V/1A
Power Consumption	Max. 7.8W
Dimension	120Ø x 96(H) mm
Weight	About 500 without Power Supply