

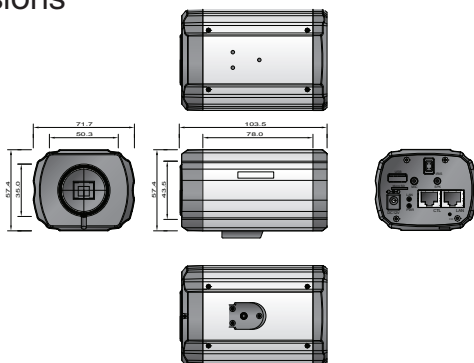
# 3M Box



## Key Features

- 1/2.8" 3.21M PS CMOS sensor
- Max. 30fps @ 3M (2048x1536)
- Quadruple stream (H.265, H.264, M-JPEG, JPEG)
- WDR (>100dB), Dynamic adjusting
- Optional VA (Face Detection, Tampering, Tripwire, etc)
- Onboard storage by MicroSD (up to SDXC 128GB)
- ONVIF(Profile S) standard

## Dimensions



## Accessory



## FW7300-TXN

### Technical Specifications

Camera	
Image Sensor	1/2.8" 3.21M Progressive Scan CMOS
Lens	-
Min. Illumination	Color: 0.05 lux, B&W: 0.0005 lux
IR	-
PoE	IEEE 802.3af
Video	
Streaming	Quadruple Streaming
Compression	H.265, H.264, M-JPEG, JPEG
Resolution	2048x1536, 1920x1080, 1280x720, 704x480, 640x352, 320x176, 160x96
Max. Frame Rate	30fps, 25fps
Bit Rate Control	VBR, CBR (H.264 only), 32K~12Mbps
Frequency Control	60Hz, 50Hz
Buffer	Max. 5.6Mbyte pre/post alarm buffer
Privacy Masking	8 privacy zone
Motion Detection	On (144 block selection), Off
Video Analytics	Optional (Face Detection, Tampering, Tripwire etc)
Smart Video	ROI
Stabilizer	-
Enhancement	WDR (Enhanced, +50~+250, Off)
Day & Night	TDN (Auto, B&W, Off)
White Balance	Auto, Manual
Noise Filter	2DNR (On, Off), 3DNR (On, Off)
Image Adjustment	Hue, Saturation, Brightness, Contrast
Sharpness	Level 0~255
Auto Gain Control	Level 1~500
Shutter Speed	Auto, Manual (1/30~1/24000)
Sense-up	Level 0~5
Flip	Vertical (On, Off), Horizontal (On, Off)
PTZ	-
Interface	
Video Out	1 CVBS
Audio In/Out	2 way (1 in, 1 out)
Audio Compression	G.711, AAC
Alarm In/Out	1 DI, 1 DO
Serial Port	RS-232C, RS-485
Peripherals	1 USB 2.0
Memory Slot	1 Micro SD Slot (up to SDXC 128GB)
Network	
LAN	10/100-base-T (auto sensing)
Protocol	HTTP, RTP/RTSP(Uni/Multicast), TCP/IP(v4/v6), UDP, FTP, Telnet, HTTPS, RARP, SNMP, DHCP, NTP, SMTP client, uPnP&etc
Standard	ONVIF (Profile S)
Viewer	Browsers (Microsoft Internet Explorer), CMS, VLC
Dynamic IP	DDNS (www.ipcctvdns.com)
Smart Solution	FlexWATCH Mobile (iOS, Android), IPCAMVISION (iOS, Android)
Security	IP Filtering, HTTPS, Encrypted & Basic Authentication, Management White List
Hardware	
System	32bit Embedded Linux, 256Mbyte SDRAM, 128Mbyte NAND Flash
Approvals	KC/FCC/CE, RoHS
Working Condition	-20°C ~ +60°C, ~90% RH
Power Supply	SMPS, DC 12V/1A
Power Consumption	Max. 4.2W
Dimension	71.7(W) x 103.5(D) x 57.4(H) mm
Weight	About 375g without Power Supply