



DVR/NVR



CAMERA



ACCESSORY



SOFTWARE

## EX-SDI(HD-SDI) Camera

# K1080D-IR30

2M FHD | HD-SDI | EX-SDI | EX-SDI 2.0

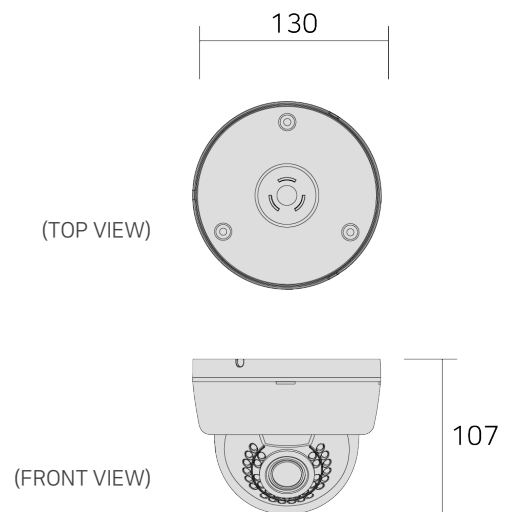


### Key Features

- 2.1 Megapixel SONY CMOS Sensor
- HD-SDI / EX-SDI 1.0 / EX-SDI 2.0 selectable
- Full-HD Resolution
- DC Iris, 2.8mm~12mm Megapixel Lens
- 3DNR (Noise Reduction)
- Back Light Compensation (WDR / BLC / HLC)
- True Day&Night (ICR)
- Removing Fog (Defog)
- Privacy Masking (10 zones)
- Internal IR LED : 30 pcs

### Dimension

(mm)



### Tech Note

#### EX-SDI

EX-SDI technology, mounted VLC(Visually Lossless Codec) on HD-SDI system, extends video transmission without image deterioration.

DVR digitally transmits either up to 500m(EX-SDI) or 700m(EX-SDI 2.0) through built-in EX-SDI receiver.

#### 3D-DNR 3D-Digital Noise Reduction

Advanced 3D-DNR technology detects and eliminates unnecessary noise by conducting comprehensive analysis of image pixels.

#### WDR Wide Dynamic Range

Realize one clear image by combining overexposed and underexposed identical images in backlight condition.

#### Made in Korea

Different league from low priced Chinese products.

Proven quality of Made in Korea and reasonable price.



DVR/NVR



CAMERA



ACCESSORY



SOFTWARE

## EX-SDI(HD-SDI) Camera

## K1080D-IR30



Description		NTSC	PAL
Sensor Type		2.1 Megapixel SONY CMOS Sensor	
Output Pixels		1920 (H) × 1080 (V) = 2.1M pixels	
Scanning System		Progressive Scan	
Lens	Filter	True Day & Night (ICR)	
	Type	2.8~12mm DC IRIS VARIFOCAL LENS (ICR)	
Video	Output	1 (BNC 1.0 Vp-p, 75Ω)	
	Resolution	1080p30 / 720p30, 720p60(crop)	1080p25 / 720p25, 720p50(crop)
	Format	HD-SDI / EX-SDI 1.0 / EX-SDI 2.0 selectable	
Video Control	AGC	LEVEL 0~10	
	S/N Ratio	More than 52dB	
	BLC	OFF / HLC / BLC / WDR	
	ACE	OFF / LOW / MIDDLE / HIGH	
	Min. Illumination	0.02Lux (DSS X32)	
	DNR	OFF / LOW / MIDDLE / HIGH	
	Iris Adjustment	DC / Manual	
	White Balance	AUTO / AUTOext / PRESET / MANUAL	
	Electric Shutter	INDOOR / OUTDOOR / INDOOR-ANTI-BLUR / OUTDOOR-ANTI-BLUR / FLICKER / MANUAL (11 Steps)	
	OSD Language	ENG	
	Day&Night	COLOR / BW / EXTERN / AUTO	
	Defog	OFF / ON (AUTO, MANUAL-LOW / MIDDLE / HIGH)	
	Privacy	OFF / ON (Programmable 10 zones)	
	Defect	LIVE DPC	
	DSS	OFF / AUTO / X2~X32	
	Digital Effect	OFF / H-MIRROR / V-MIRROR	
IR LED	30 pcs		
Smart IR	OFF / ON		
Input Voltage		DC 12V(±10%)	
Power Consumption		IR OFF : 150mA (MAX) / IR ON : 380mA (MAX)	
Operation Temp./Humidity		-10°C ~ +50°C / MAX 90% RH	
Storage Temp./Humidity		-20°C ~ +60°C / MAX 90% RH	
Certification		KC	

\* Specifications are subject to change without notice for product improvement.