

3M Number Plate Detection Camera



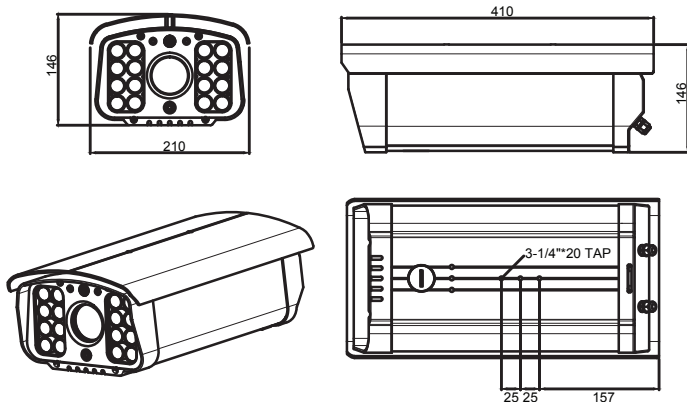
ONVIF



Key Features

- 1/1.8" 3.19M Global Shutter CMOS sensor (SONY)
- Number Plate Detection for high speed moving vehicle
- Motorized Auto Focus
- Max. 30fps @ Full-HD (1920x1080)
- Quadruple Stream (H.265, H.264, M-JPEG, JPEG)
- Onboard storage by MicroSD (up to SDXC 128GB)
- Manual shutter speed (1/30 to 1/30,000)
- Optional Anti-bug (Ultrasonic wave & 610nm LED by 3times per 5second)
- OnVIF (Profile S) standard

Dimensions



Accessory



FW9305-GSM

Technical Specifications

Camera

Image Sensor	1/1.8" 3.19M Global Shutter CMOS Sensor
Lens	12.0 ~ 40.0mm (F1.5) H.FOV 33.9°~11.6°
Min. Illumination	Color: 0.05 lux (DSS on 0.02lux), B&W: 0 lux
IR	16 Hybrid Power IR LED up to 120km/H
PoE	-

Video

Streaming	Quadruple Streaming
Compression	H.265, H.264, M-JPEG, JPEG
Resolution	1920x1080, 1280x960, 1280x720, 704x480, 640x352, 320x176, 160x96
Max. Frame Rate	30fps, 25fps
Bit Rate Control	VBR, CBR (H.264 only), 32K~12Mbps
Frequency Control	60Hz, 50Hz
Buffer	Max. 5.6Mbyte pre/post alarm buffer
Privacy Masking	8 privacy zone
Motion Detection	On (144 block selection), Off
Video Analytics	Optional (Face Detection, Tampering, Tripwire etc)
Smart Video	ROI
DIS/EIS	ON/OFF
Enhancement	WDR (+50~+250, Off)
Day & Night	TDN (Auto, B&W, Off)
White Balance	Auto, Manual, Push, AWB-Ext
Noise Filter	DNR (LOW/MIDDLE/HIGH)
Image Adjustment	Sharpness/Color Gain/DIS/Gamer
Defog	OFF / 1-3
Back Light	OFF/BLC/WDR/HLC
Digital Zoom	32x
Flip	OFF/H/V/H-V Flip
Digital Slow Shutter	Off / x2 to x32
AE Mode	Auto(Normal/Deblur), Manual, Flicker less

Interface

Video Out	1 CVBS
Audio In/Out	2 way (1 in, 1 out)
Audio Compression	G.711
Alarm In/Out	1 DI, 1 DO
Serial Port	RS-232C, RS-485
Peripherals	1 USB 2.0
Memory Slot	1 MicroSD slot (up to SDXC 128GB) / (2 MicroSD slot option with Audio disabled)

Network

LAN	10/100-base-T (auto sensing)
Protocol	HTTP, RTP/RTSP(Uni/Multicast), TCP/IP(v4/v6), UDP, FTP, Telnet, HTTPS, RARP, SNMP, DHCP, NTP, SMTP client, uPnP&etc
Standard	ONVIF (Profile S)
Viewer	Browsers (Microsoft Internet Explorer), CMS, VLC
Dynamic IP	DDNS (www.ipccvtdns.com)
Smart Solution	FlexWATCH Mobile (iOS, Android), IPCAMVISION (iOS, Android)
Security	IP Filtering, HTTPS, Encrypted & Basic Authentication, Management White List

Hardware

System	32bit Embedded Linux, 256Mbyte SDRAM, 128Mbyte NAND Flash
Approvals	KC/FCC/CE, RoHS, IP67
Working Condition	-20°C ~ +60°C, ~90% RH / Built in FAN
Power Supply	SMPS, DC 15V/5A
Power Consumption	Max. 25.5W (Main unit only), 68W (with External LED Option)
Dimension	210(W) x 410(D) x 146(H) mm
Weight	About 4500g without Power Supply (About 5000g with External LED option)